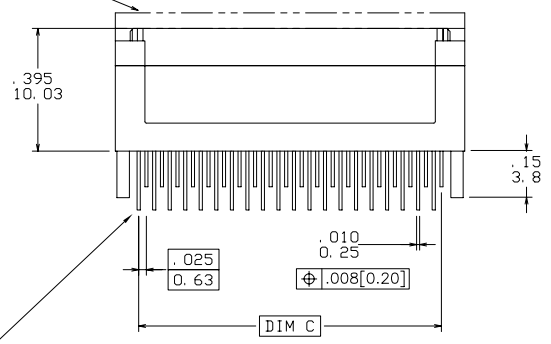
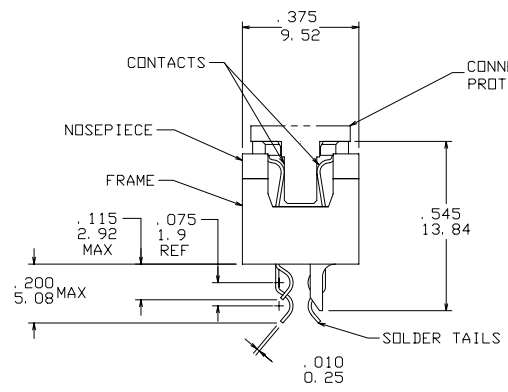
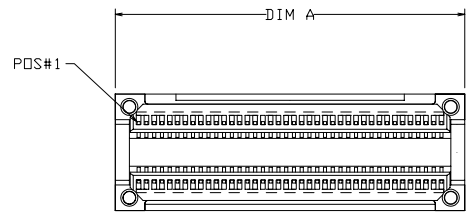
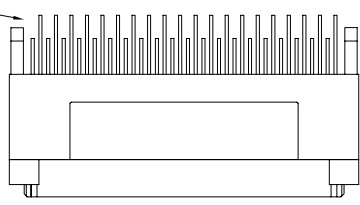


PRODUCT NUMBER
SEE TABLE

NEARSIDE SOLDER TAILS
SHOWN ONLY



NEARSIDE SOLDER TAILS
SHOWN ONLY



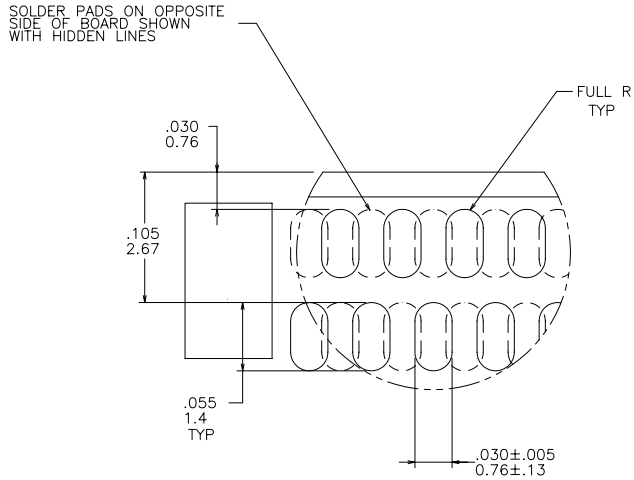
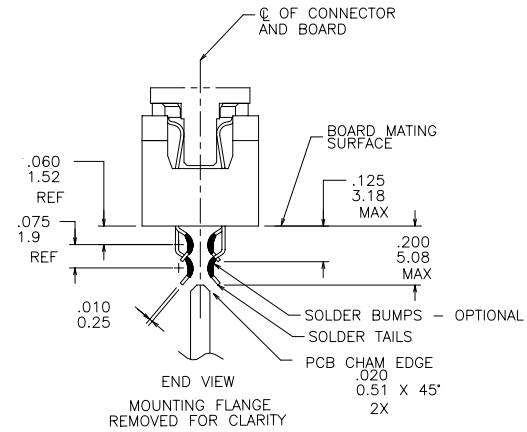
FCIconnect.com

Copyright FCI

mat'l. code		surface		tolerance		projection		product family	
NOTE 1		ISO 1302 ✓		ISO 406 ISO 1101				MICROPAX	
ltr	ecn no	dr	date	tolerances unless otherwise specified		INCH/MM		title	
D	V40770	MRC	4/25/94	angles	linear	.XX±.01/0.3		.025M STRADDLE RECEPT. SINGLE MODULE	
E	V40887	MRC	5/25/94			.xxx±.005/0.13			
F	V50814	MRC	6/9/95	0°±2'		.xxxx±.0020/0.051		scale 2:1	
G	E50113	MRC	7/18/95	dr	L.POTTEIGER	9/12/91		dwg no	
H	V51267	MRC	10/20/95	enr	T.LEMKE	9/12/91		sheet 1 of 2 size	
J	V12115	MEM	10/9/01	chr	T.LEMKE	9/12/91		91542 A3	
K	M06-0363	MHT	9/18/06	appd	T.LEMKE	9/12/91		type Product Customer Drawing	
sheet	revision	K	K						
index	sheet	1	2						

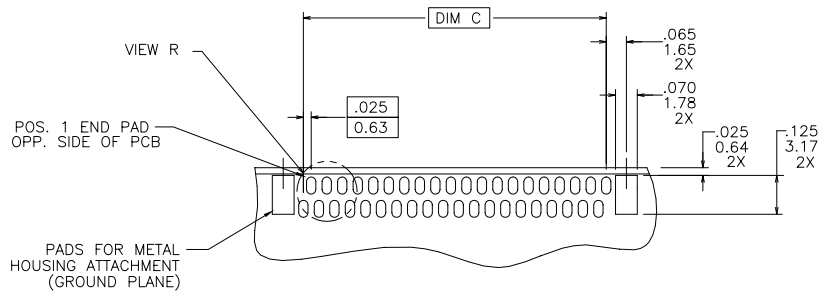
form: A3

PRODUCT NUMBER	NO. OF CONTACTS	DIM A	DIM C	BOARD THICKNESS	SOLDER BUMPS	PROCESSING CAP
NOTE 4						
91542-005	80	1.125/28.58	.975/24.77	.062/1.58	NO	INSTALLED ON CONNECTOR
91542-105					YES	INSTALLED ON CONNECTOR
91542-135					YES	NOT SHIPPED ON CONNECTOR



⌀ .010/.25 Ⓢ TYP

VIEW R
SCALE 20/1



MOUNTING FLANGE SIDE OF BOARD
RECOMMENDED TERMINATION
REQUIREMENTS

NOTES:

- MATERIALS:
DIELECTRIC: LCP
CONTACTS: Be Cu THK .0010±.0005
.025±.013
FRAME: ZINC ALLOY #3
- PLATING:
SOLDER TAILS: 150u"/3.81u Sn Pb
FRAME: 100u"/2.54u Ni
CONTACT PLATING: GXT-30u"/.76u
LEAD FREE OPTION:
SOLDER TAILS: 100u"/2.54u Sn
FRAME: 100u"/2.54u Ni
CONTACT PLATING: GXT-30u"/.76u
- DO NOT REMOVE PROCESSING CAP UNTIL SOLDERING IS COMPLETED. CAP WILL PREVENT POTENTIAL NOSE PIECE BOW DURING HIGH TEMP. SOLDERING PROCESS.
- ADD "LF" SUFFIX AT THE END OF PART NUMBER FOR LEAD FREE OPTION.
- THE HOUSING WILL WITHSTAND EXPOSURE TO 260°C PEAK TEMPERATURE FOR 20 SECONDS IN A CONVECTION, INFRA-RED OR VAPOR PHASE REFLOW OVEN.
- IF "LF" P/N THE PRODUCT MEETS EUROPEAN UNION DIRECTIVES AND OTHER COUNTRY REGULATION AS DECREIBED IN GS-22-008.

mat'l. code		surface		tolerance		projection		product family	
NOTE 1		ISO 1302 ✓		ISO 406		⊕		MICROPAX	
				ISO 1101				title	
ltr		ecn		no		dr		date	
								tolerances unless otherwise specified	
K								.XX±.01/0.3	
								.XXX±.005/0.13	
								.XXX±.0020/0.051	
								INCH/MM	
								scale 2:1	
								dr	
								L.POTTEIGER	
								9/12/91	
								enr	
								T.LEMKE	
								9/12/91	
								chr	
								T.LEMKE	
								9/12/91	
								appd	
								T.LEMKE	
								9/12/91	
sheet		revision							
index		sheet							
								title	
								.025M STRADDLE RECEPT.	
								SINGLE MODULE	
								dwg no	
								91542	
								sheet 2 of 2	
								size	
								A3	
								type	
								Product Customer Drawing	